

EVOLVE POWERBEAM - WEBSITE TYPICALS

EPB527-W - 2PACK

SPECIFICATION DEPARTMENT

global furniture group  
[globalfurnituregroup.com](http://globalfurnituregroup.com) [globalportfolio.com](http://globalportfolio.com)  
[evolvefurnituregroup.com](http://evolvefurnituregroup.com)



PREPARED BY

DATE

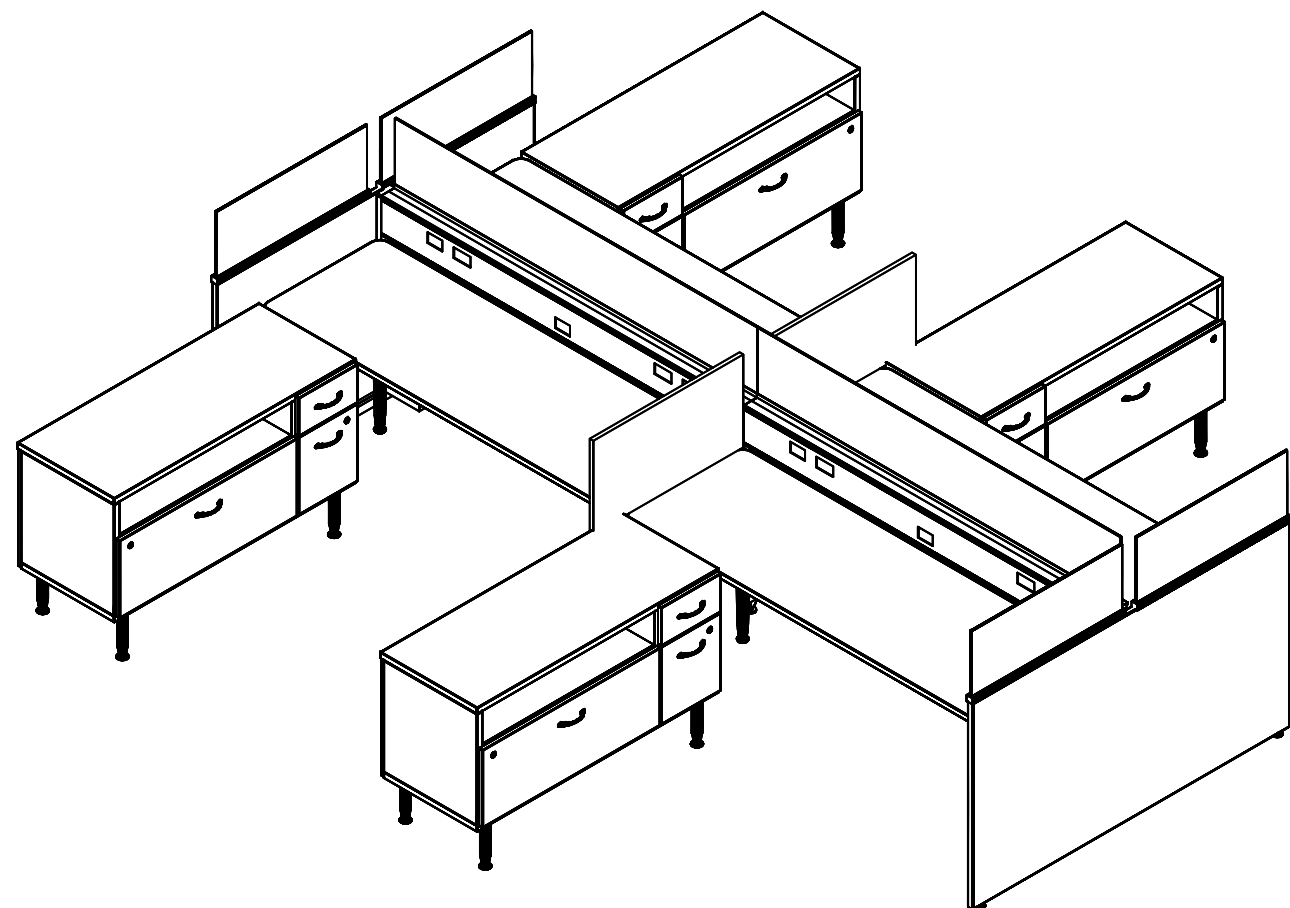
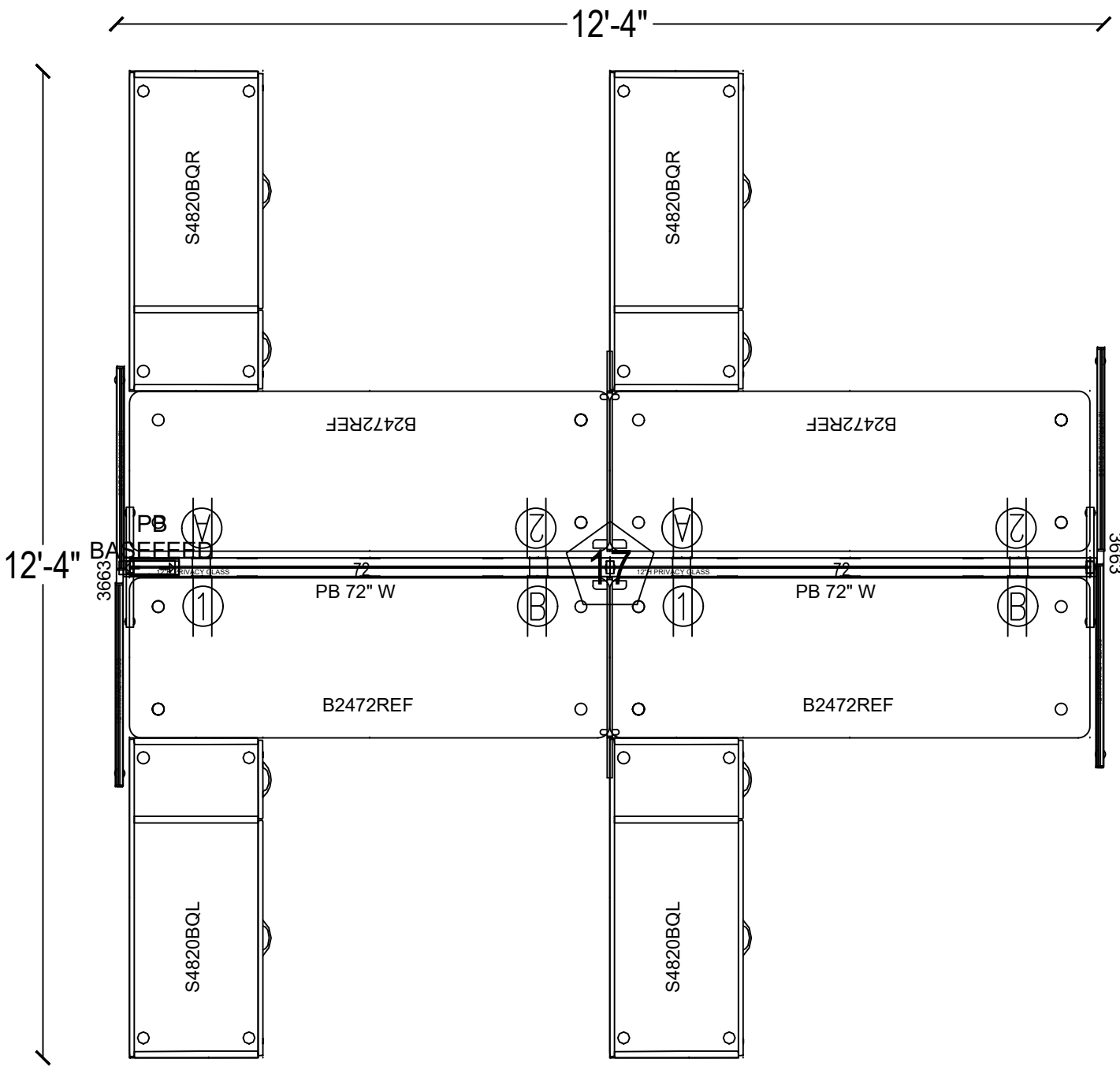
PROJECT NUMBER

REVISION

SHEET

SCALE = NTS

DRAWN TO DEALER PROVIDED SPECIFICATIONS. THE GLOBAL GROUP OF COMPANIES IS NOT RESPONSIBLE FOR THE OVERALL ACCURACY OF ROOM DIMENSIONS, COLUMNS, DOORWAYS, WINDOWS, OBSTRUCTIONS, ETC. THIS RENDERING IS BEING PROVIDED TO YOU IN CONJUNCTION WITH THE PROSPECTIVE RETAIL SALE OF PRODUCTS AND IS FOR INFORMATIONAL PURPOSES ONLY. THE GLOBAL GROUP OF COMPANIES IS NOT A LICENSED INTERIOR DESIGNER OR ARCHITECT.



EVOLVE POWERBEAM - WEBSITE TYPICALS

EPB527-W - 4PACK

SPECIFICATION DEPARTMENT

global furniture group  
 globalfurnituregroup.com globalADportfolio.com  
 evolvefurnituregroup.com



PREPARED BY
DATE
PROJECT NUMBER
REVISION

SHEET

SCALE = NTS

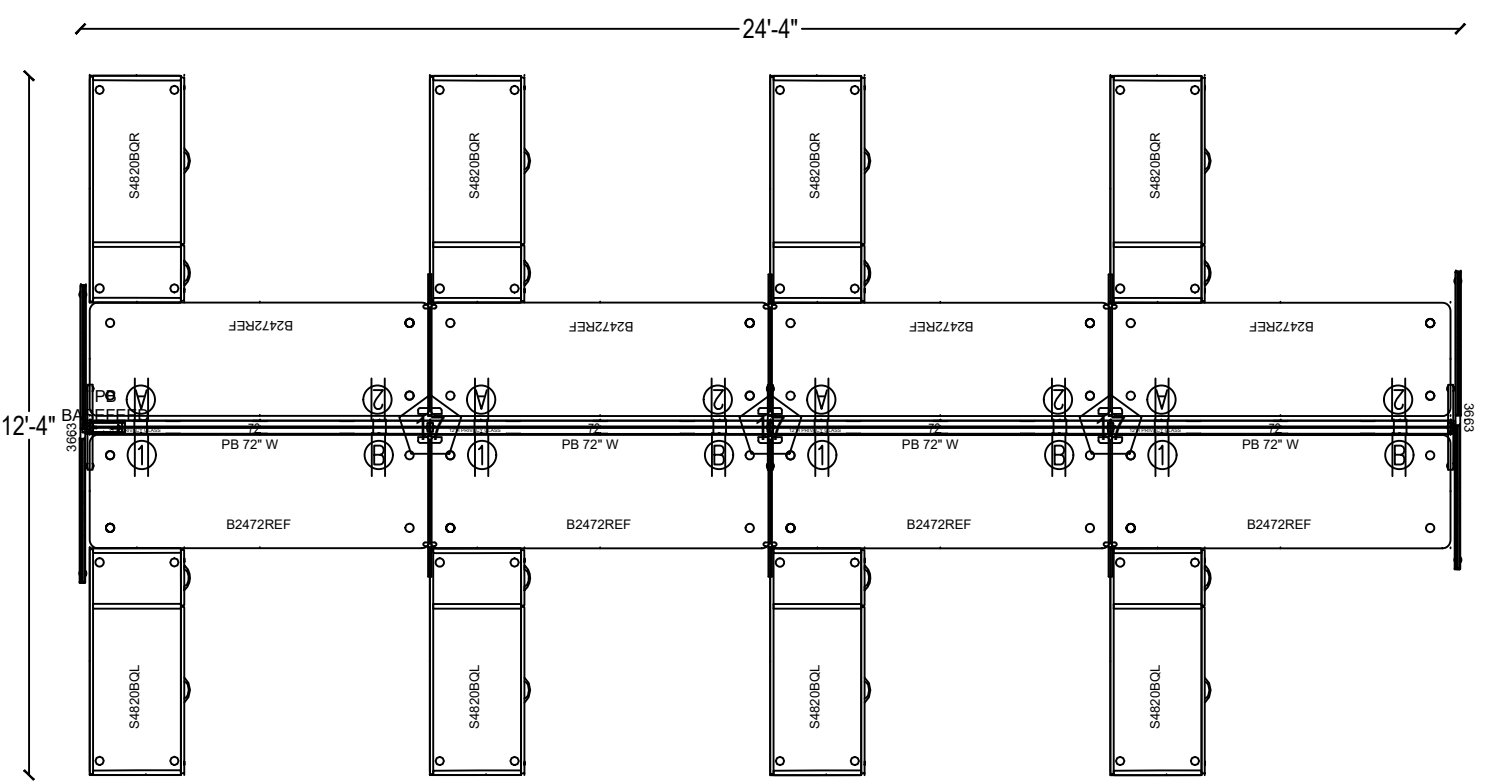
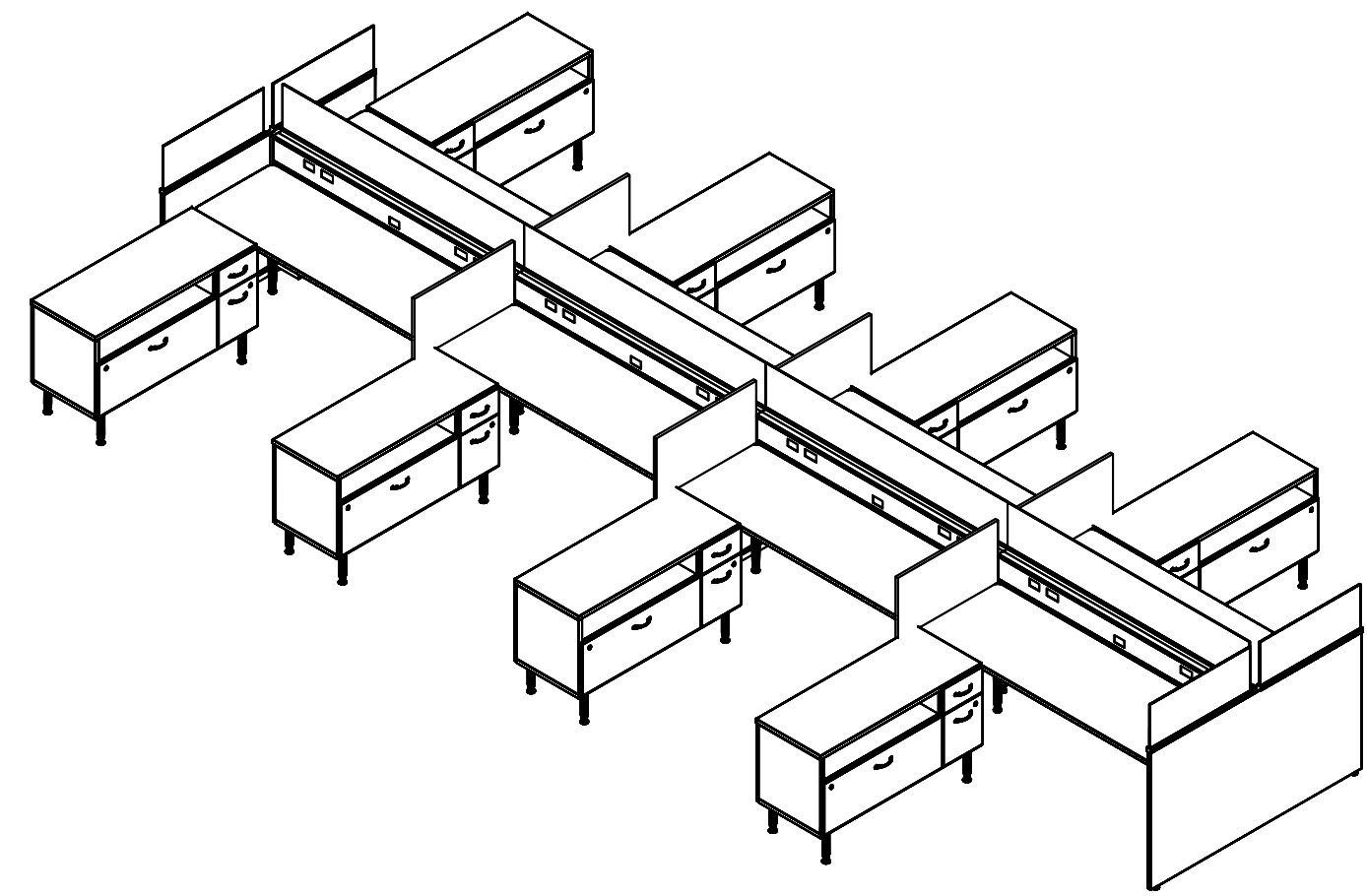
DRAWN TO DEALER PROVIDED SPECIFICATIONS. THE GLOBAL GROUP OF COMPANIES IS NOT RESPONSIBLE FOR THE OVERALL ACCURACY OF ROOM DIMENSIONS, COLUMNS, DOORWAYS, WINDOWS, OBSTRUCTIONS, ETC. THIS RENDERING IS BEING PROVIDED TO YOU IN CONJUNCTION WITH THE PROSPECTIVE RETAIL SALE OF PRODUCTS AND IS FOR INFORMATIONAL PURPOSES ONLY. THE GLOBAL GROUP OF COMPANIES IS NOT A LICENSED INTERIOR DESIGNER OR ARCHITECT.





PREPARED BY
DATE
PROJECT NUMBER
REVISION

SHEET
SCALE = NTS



DRAWN TO DEALER PROVIDED SPECIFICATIONS. THE GLOBAL GROUP OF COMPANIES IS NOT RESPONSIBLE FOR THE OVERALL ACCURACY OF ROOM DIMENSIONS, COLUMNS, DOORWAYS, WINDOWS, OBSTRUCTIONS, ETC. THIS RENDERING IS BEING PROVIDED TO YOU IN CONJUNCTION WITH THE PROSPECTIVE RETAIL SALE OF PRODUCTS AND IS FOR INFORMATIONAL PURPOSES ONLY. THE GLOBAL GROUP OF COMPANIES IS NOT A LICENSED INTERIOR DESIGNER OR ARCHITECT.