

EVOLVE POWERBEAM - WEBSITE TYPICALS
EPB504-W - 2PACK

SPECIFICATION DEPARTMENT

global furniture group
globalfurnituregroup.com globalportfolio.com
evolvefurnituregroup.com



PREPARED BY

DATE

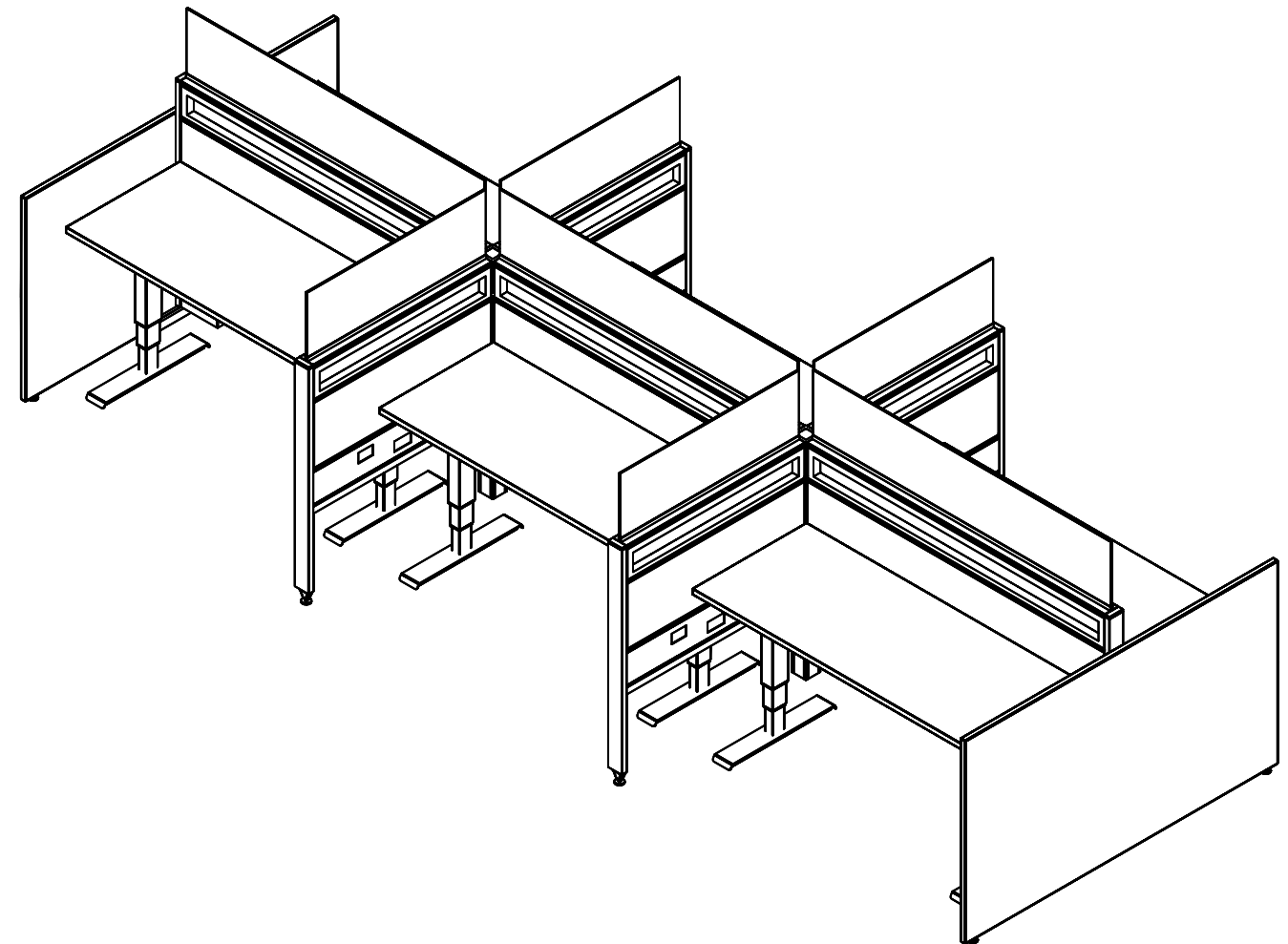
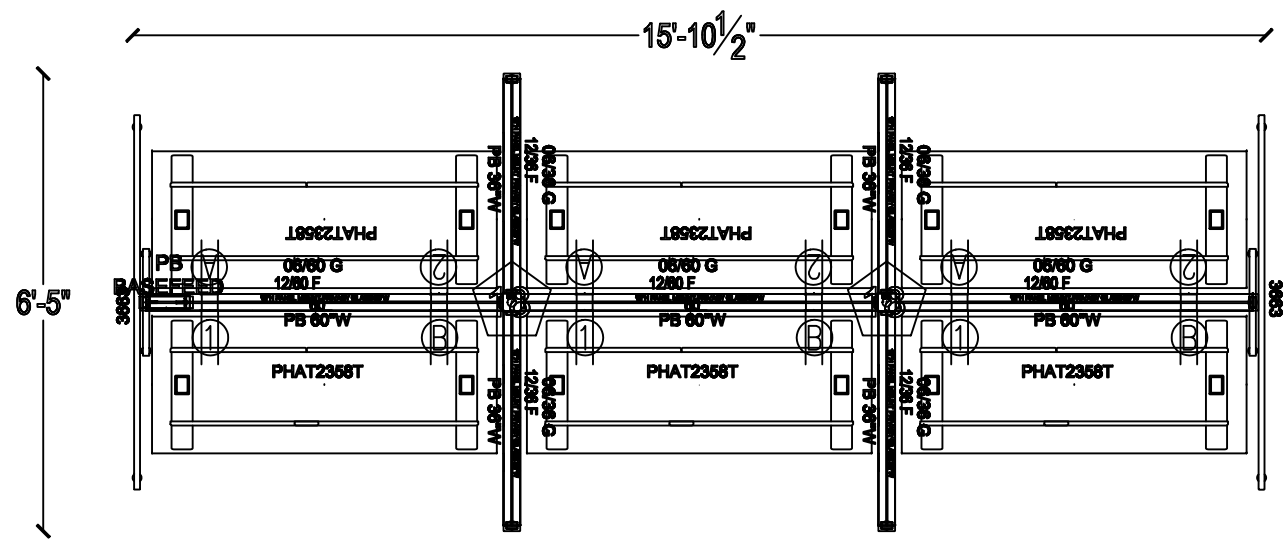
PROJECT NUMBER

REVISION

SHEET

SCALE = NTS

DRAWN TO DEALER PROVIDED SPECIFICATIONS. THE GLOBAL GROUP OF COMPANIES IS NOT RESPONSIBLE FOR THE OVERALL ACCURACY OF ROOM DIMENSIONS, COLUMNS, DOORWAYS, WINDOWS, OBSTRUCTIONS, ETC. THIS RENDERING IS BEING PROVIDED TO YOU IN CONJUNCTION WITH THE PROSPECTIVE RETAIL SALE OF PRODUCTS AND IS FOR INFORMATIONAL PURPOSES ONLY. THE GLOBAL GROUP OF COMPANIES IS NOT A LICENSED INTERIOR DESIGNER OR ARCHITECT.



EVOLVE POWERBEAM - WEBSITE TYPICALS
EPB504-W - 6PACK

SPECIFICATION DEPARTMENT

global furniture group
globalfurnituregroup.com globalportfolio.com
evolvefurnituregroup.com



PREPARED BY

DATE

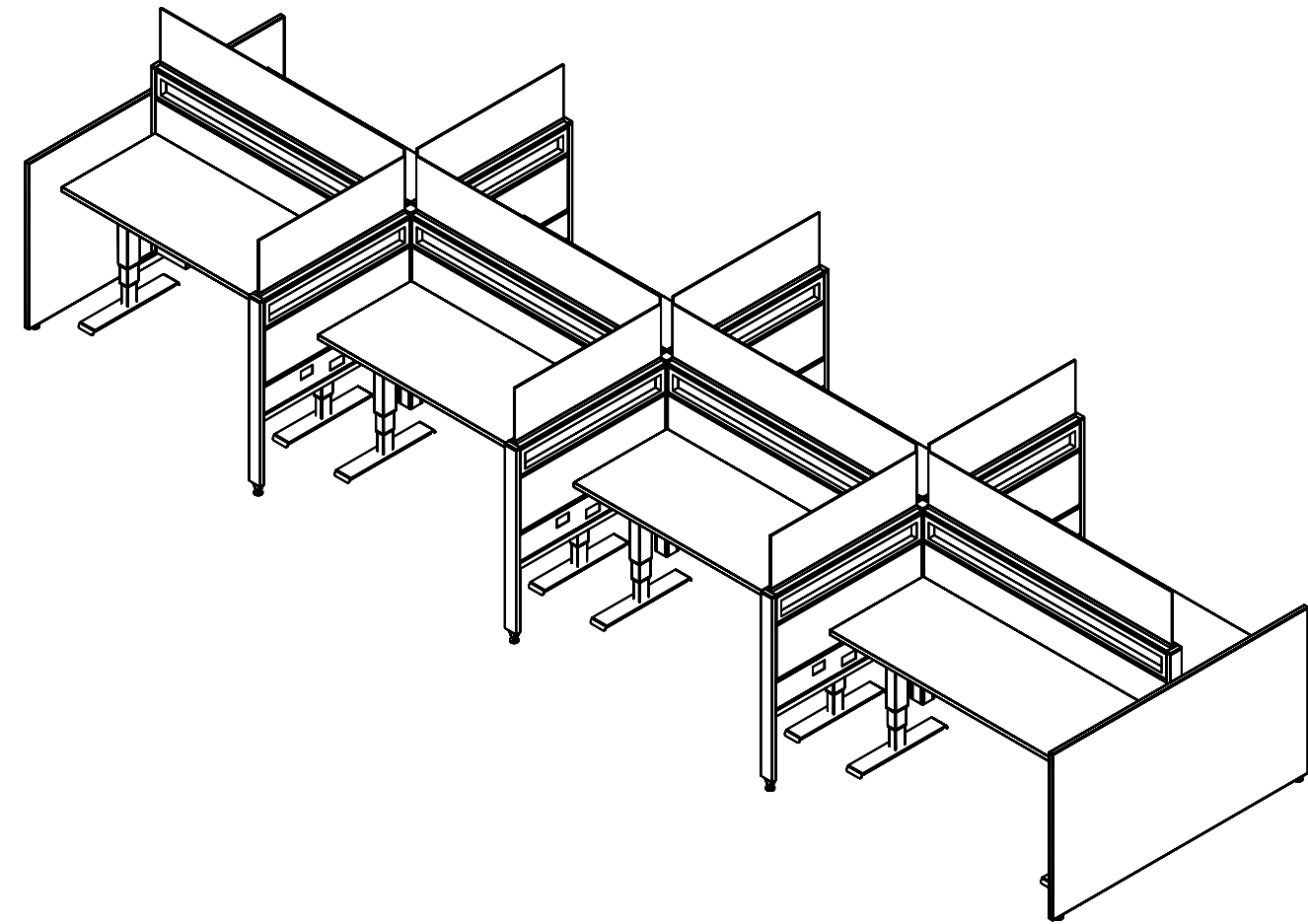
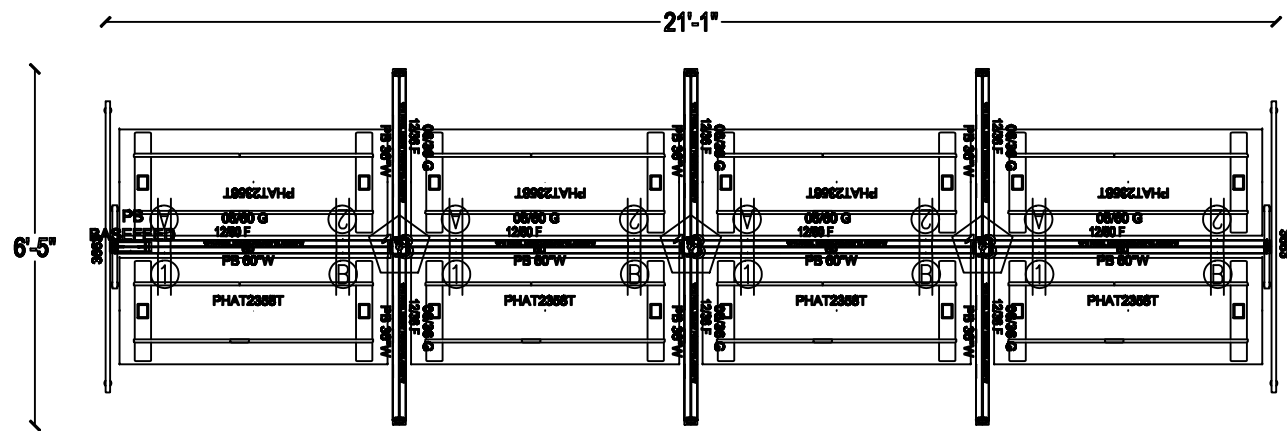
PROJECT NUMBER

REVISION

SHEET

SCALE = NTS

DRAWN TO DEALER PROVIDED SPECIFICATIONS. THE GLOBAL GROUP OF COMPANIES IS NOT RESPONSIBLE FOR THE OVERALL ACCURACY OF ROOM DIMENSIONS, COLUMNS, DOORWAYS, WINDOWS, OBSTRUCTIONS, ETC. THIS RENDERING IS BEING PROVIDED TO YOU IN CONJUNCTION WITH THE PROSPECTIVE RETAIL SALE OF PRODUCTS AND IS FOR INFORMATIONAL PURPOSES ONLY. THE GLOBAL GROUP OF COMPANIES IS NOT A LICENSED INTERIOR DESIGNER OR ARCHITECT.



EVOLVE POWERBEAM - WEBSITE TYPICALS
EPB504-W - 8PACK

SPECIFICATION DEPARTMENT

global furniture group
globalfurnituregroup.com globaladportfolio.com
evolvefurnituregroup.com



PREPARED BY

DATE

PROJECT NUMBER

REVISION

SHEET

SCALE = NTS

DRAWN TO DEALER PROVIDED SPECIFICATIONS. THE GLOBAL GROUP OF COMPANIES IS NOT RESPONSIBLE FOR THE OVERALL ACCURACY OF ROOM DIMENSIONS, COLUMNS, DOORWAYS, WINDOWS, OBSTRUCTIONS, ETC. THIS RENDERING IS BEING PROVIDED TO YOU IN CONJUNCTION WITH THE PROSPECTIVE RETAIL SALE OF PRODUCTS AND IS FOR INFORMATIONAL PURPOSES ONLY. THE GLOBAL GROUP OF COMPANIES IS NOT A LICENSED INTERIOR DESIGNER OR ARCHITECT.