

EVOLVE POWERBEAM - WEBSITE TYPICALS

EPB514-W - 2PACK

SPECIFICATION DEPARTMENT

global furniture group
 globalfurnituregroup.com globaladportfolio.com
 evolveturnituregroup.com



PREPARED BY
DATE
PROJECT NUMBER
REVISION

SHEET

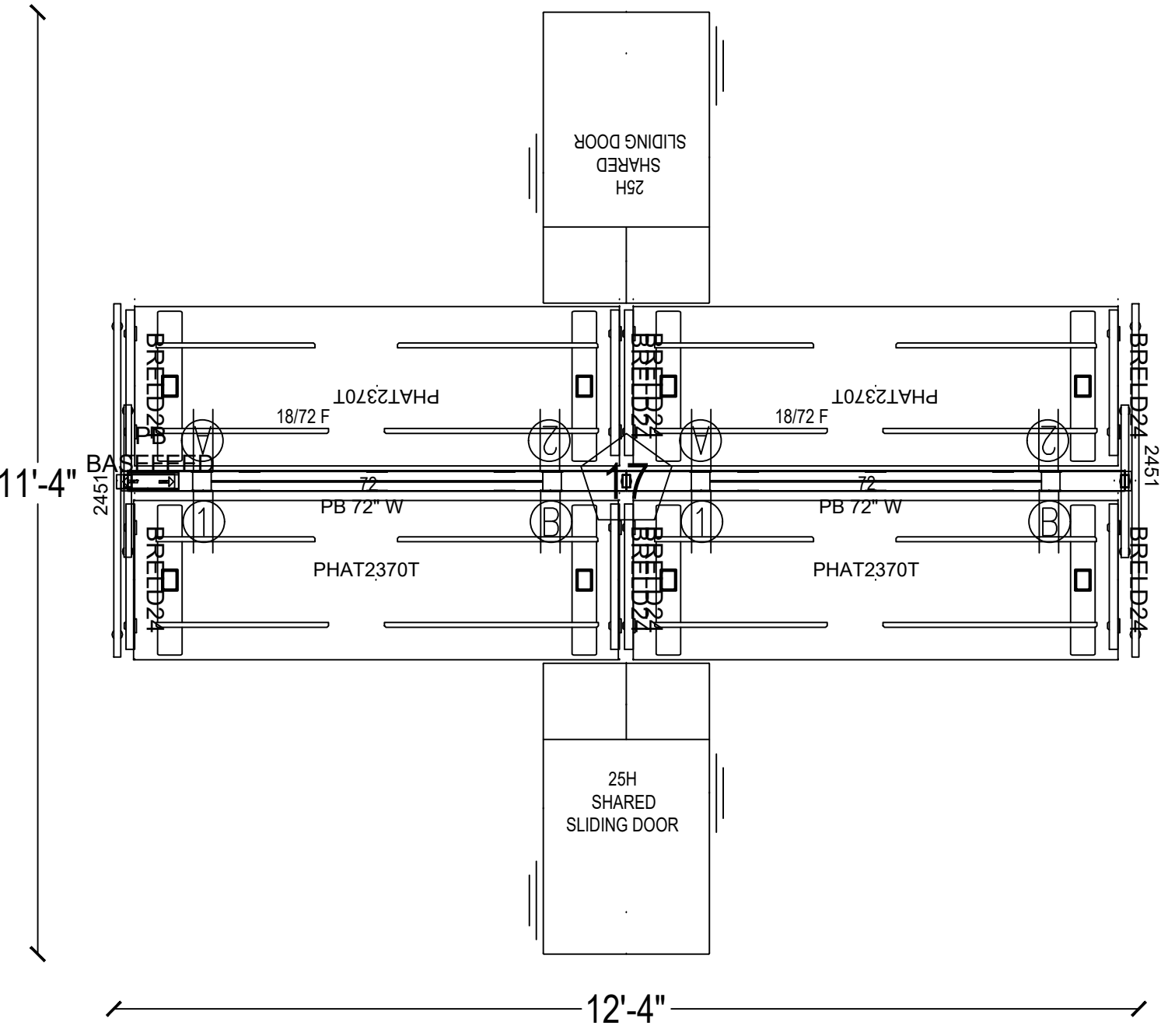
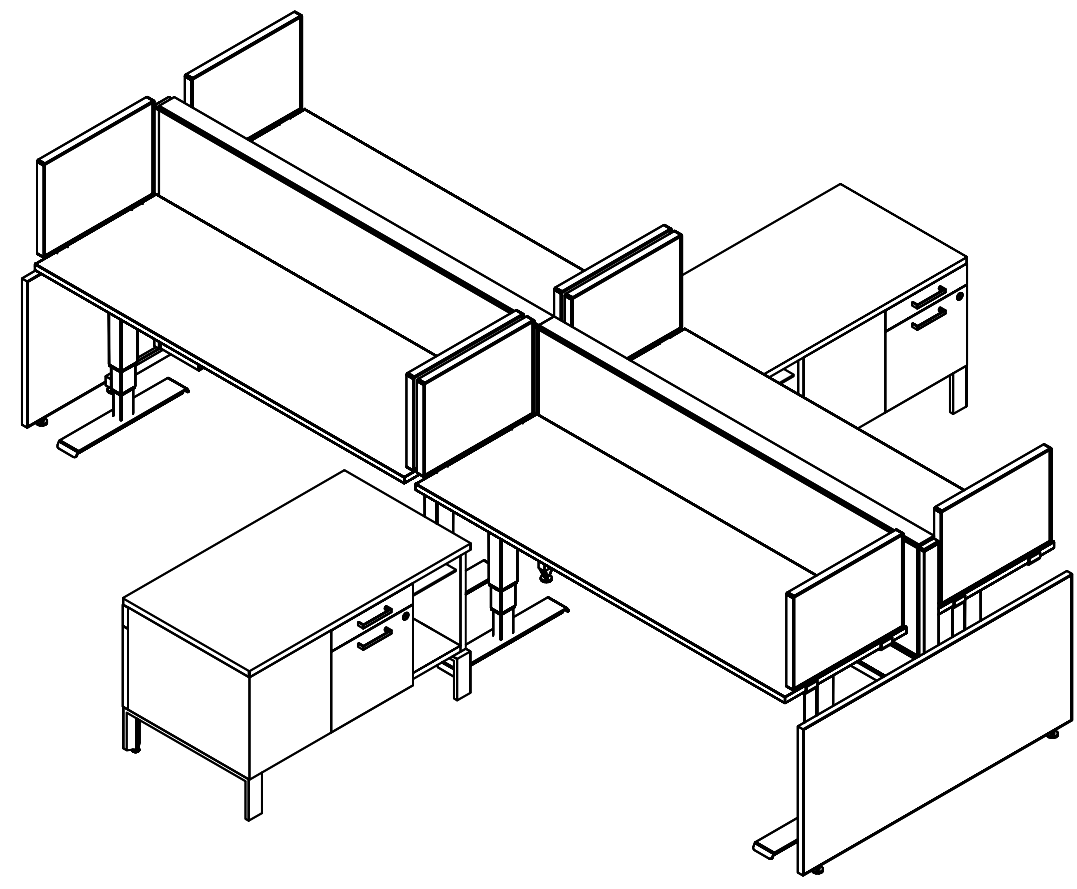
SCALE = NTS

DRAWN TO DEALER PROVIDED SPECIFICATIONS. THE GLOBAL GROUP OF COMPANIES IS NOT RESPONSIBLE FOR THE OVERALL ACCURACY OF ROOM DIMENSIONS, COLUMNS, DOORWAYS, WINDOWS, OBSTRUCTIONS, ETC. THIS RENDERING IS BEING PROVIDED TO YOU IN CONJUNCTION WITH THE PROSPECTIVE RETAIL SALE OF PRODUCTS AND IS FOR INFORMATIONAL PURPOSES ONLY. THE GLOBAL GROUP OF COMPANIES IS NOT A LICENSED INTERIOR DESIGNER OR ARCHITECT.



PREPARED BY
DATE
PROJECT NUMBER
REVISION

SHEET

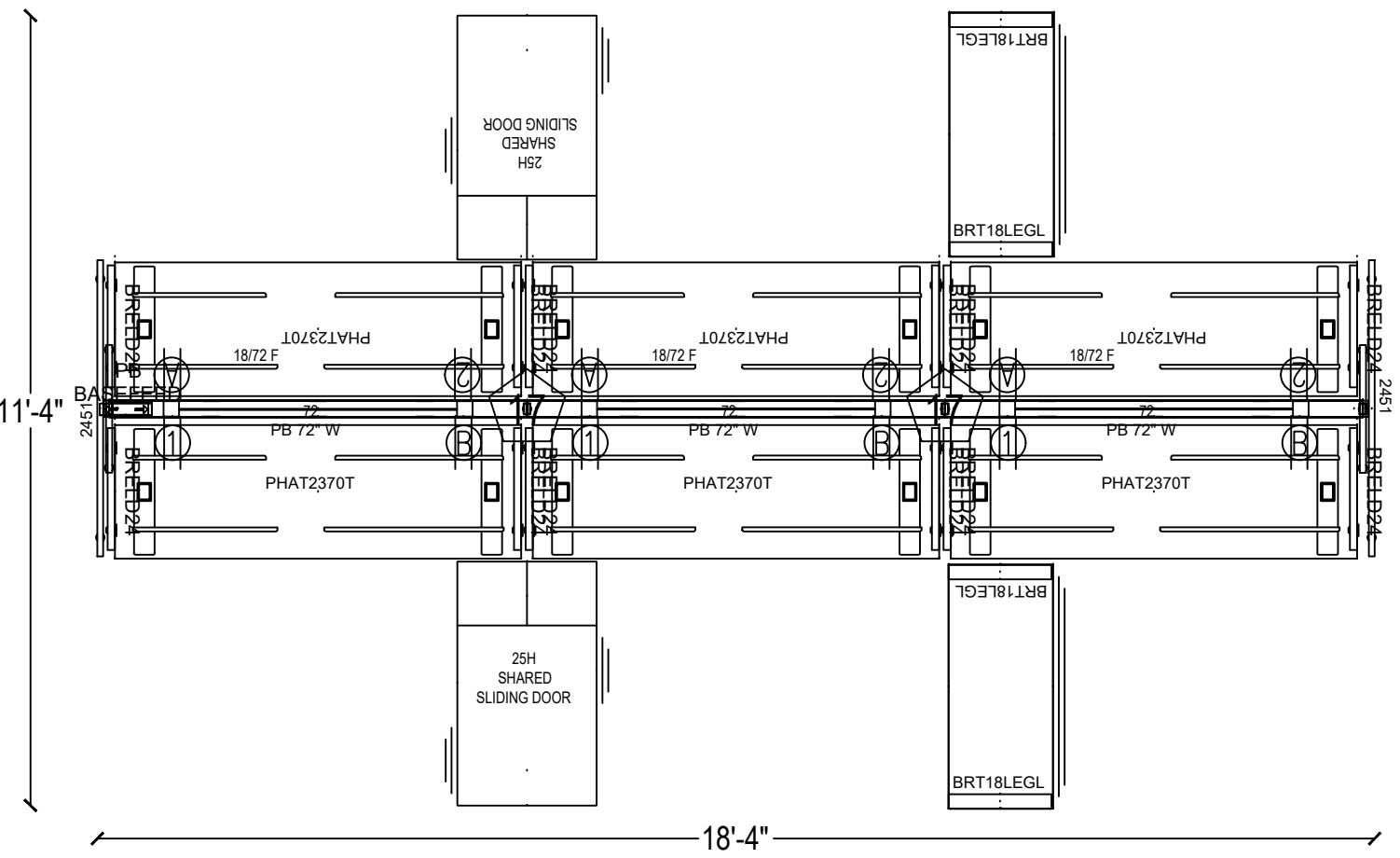
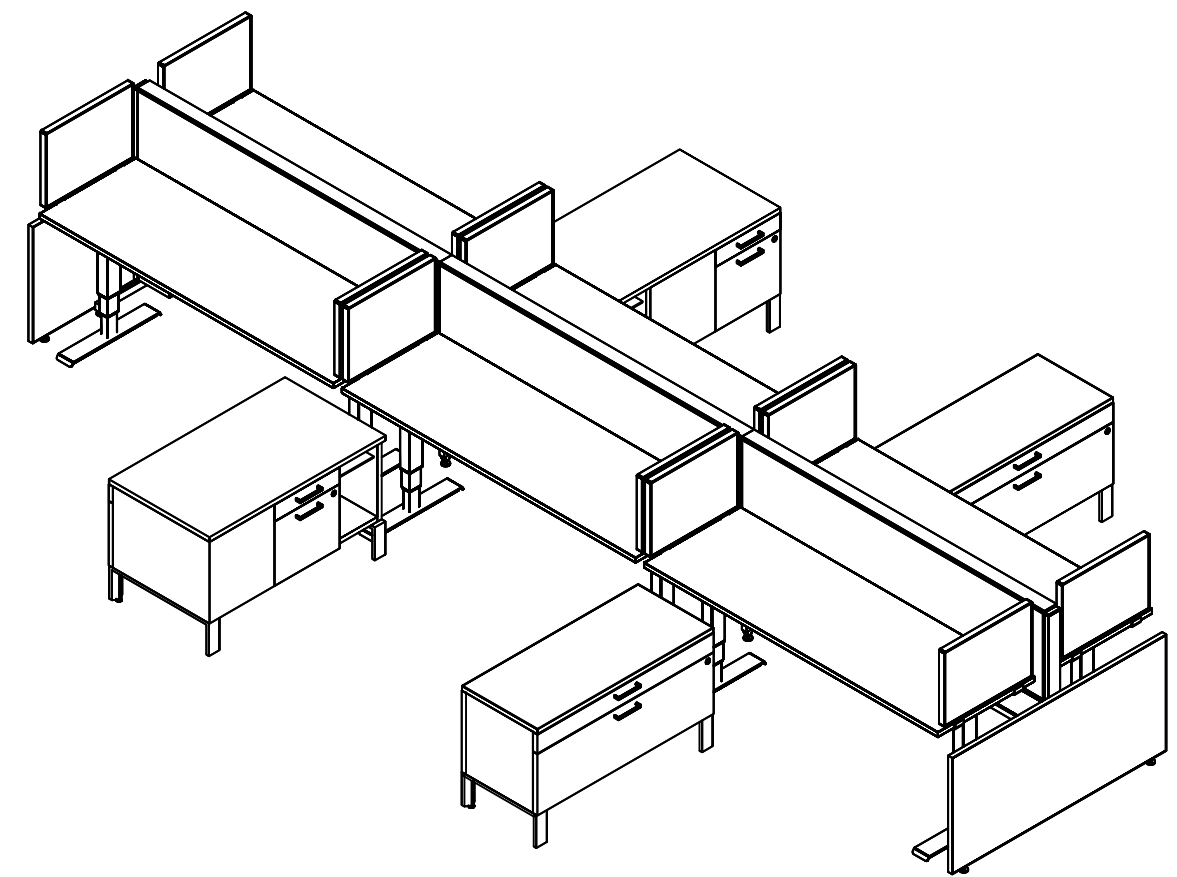


DRAWN TO DEALER PROVIDED SPECIFICATIONS. THE GLOBAL GROUP OF COMPANIES IS NOT RESPONSIBLE FOR THE OVERALL ACCURACY OF ROOM DIMENSIONS, COLUMNS, DOORWAYS, WINDOWS, OBSTRUCTIONS, ETC. THIS RENDERING IS BEING PROVIDED TO YOU IN CONJUNCTION WITH THE PROSPECTIVE RETAIL SALE OF PRODUCTS AND IS FOR INFORMATIONAL PURPOSES ONLY. THE GLOBAL GROUP OF COMPANIES IS NOT A LICENSED INTERIOR DESIGNER OR ARCHITECT.



PREPARED BY
DATE
PROJECT NUMBER
REVISION

SHEET
SCALE = NTS

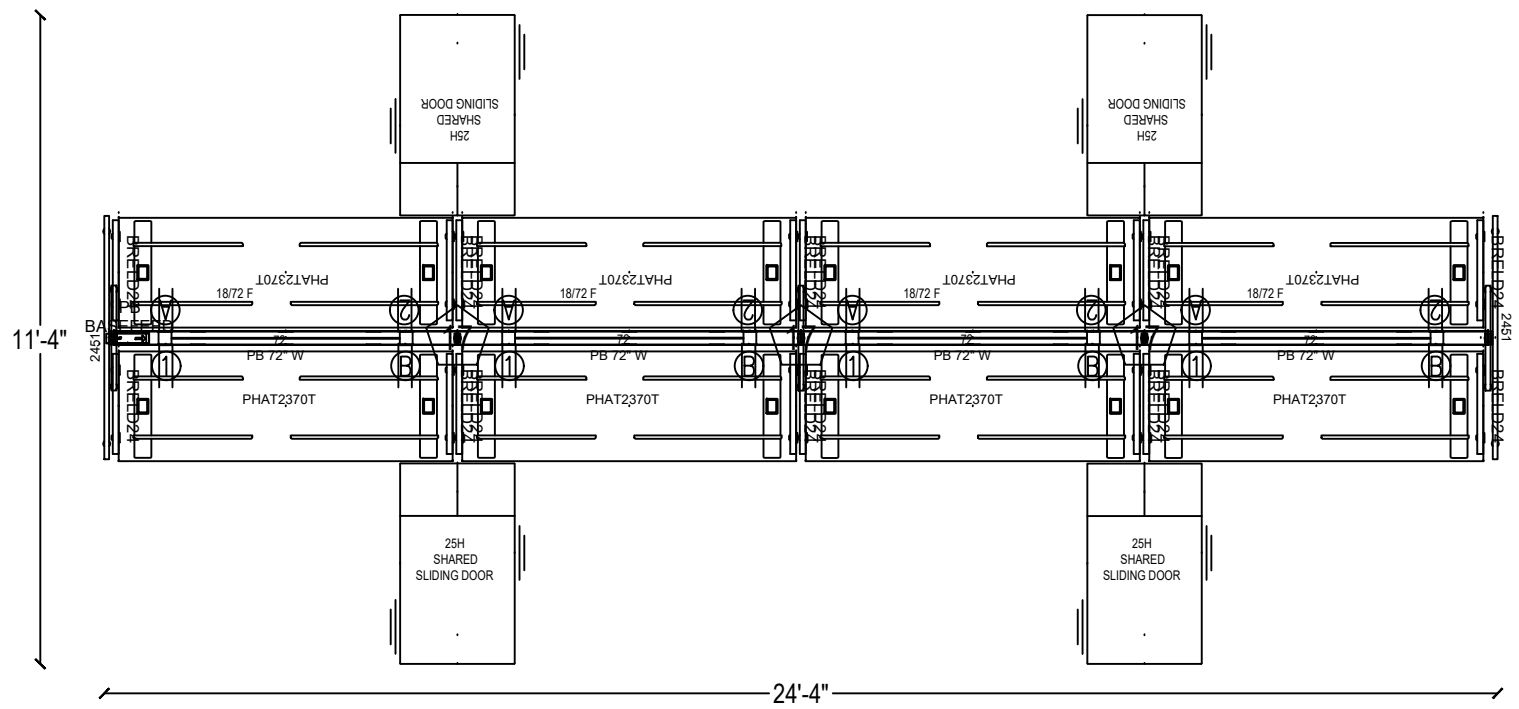
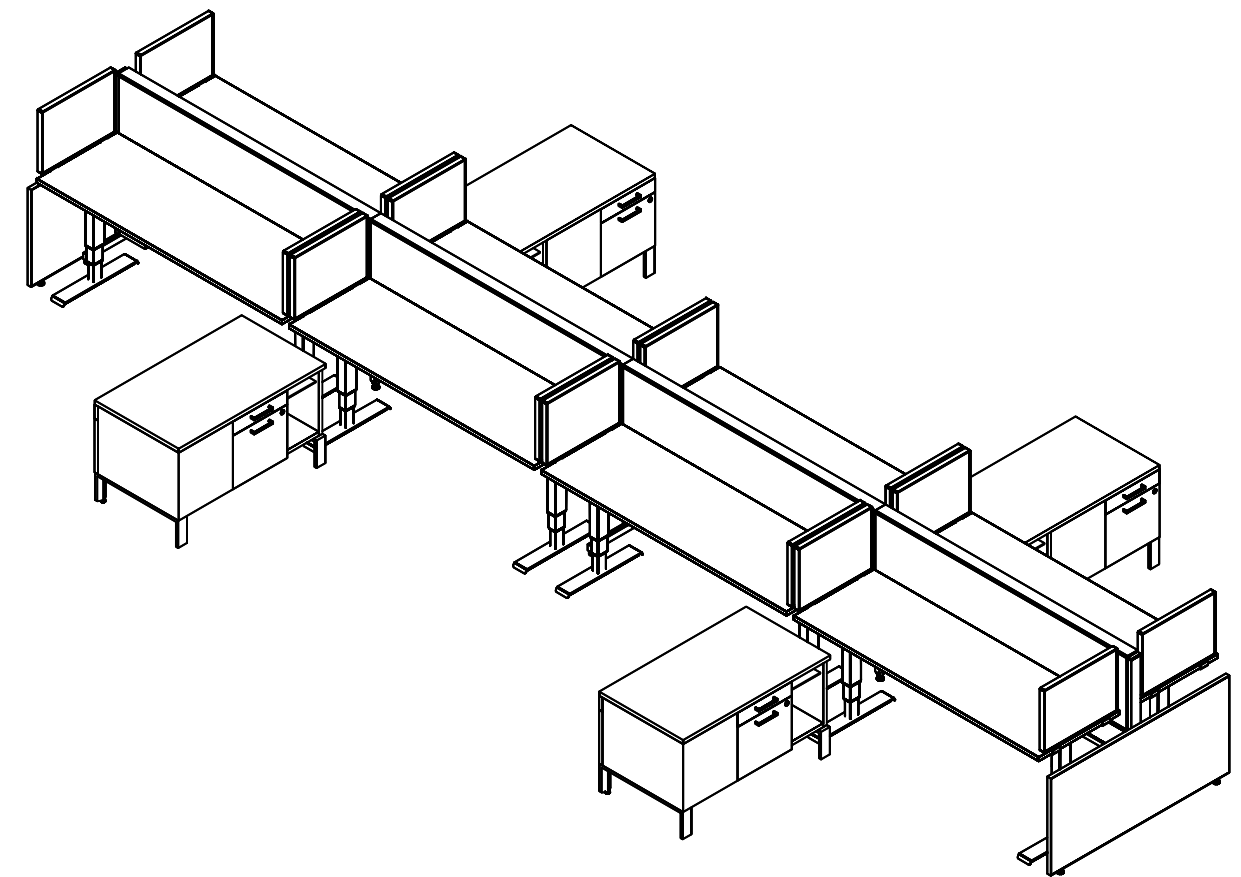


DRAWN TO DEALER PROVIDED SPECIFICATIONS. THE GLOBAL GROUP OF COMPANIES IS NOT RESPONSIBLE FOR THE OVERALL ACCURACY OF ROOM DIMENSIONS, COLUMNS, DOORWAYS, WINDOWS, OBSTRUCTIONS, ETC. THIS RENDERING IS BEING PROVIDED TO YOU IN CONJUNCTION WITH THE PROSPECTIVE RETAIL SALE OF PRODUCTS AND IS FOR INFORMATIONAL PURPOSES ONLY. THE GLOBAL GROUP OF COMPANIES IS NOT A LICENSED INTERIOR DESIGNER OR ARCHITECT.



PREPARED BY
DATE
PROJECT NUMBER
REVISION

SHEET



DRAWN TO DEALER PROVIDED SPECIFICATIONS. THE GLOBAL GROUP OF COMPANIES IS NOT RESPONSIBLE FOR THE OVERALL ACCURACY OF ROOM DIMENSIONS, COLUMNS, DOORWAYS, WINDOWS, OBSTRUCTIONS, ETC. THIS RENDERING IS BEING PROVIDED TO YOU IN CONJUNCTION WITH THE PROSPECTIVE RETAIL SALE OF PRODUCTS AND IS FOR INFORMATIONAL PURPOSES ONLY. THE GLOBAL GROUP OF COMPANIES IS NOT A LICENSED INTERIOR DESIGNER OR ARCHITECT.